

# UI15H07001 BATTERY

## Technical Datasheet - Tentative

### Technical Specifications

Part No.	UI15H07001
Chemistry	Lithium Iron Phosphate (LiFePO4)

### Electrical Parameters

Nominal voltage	48V
Nominal capacity	10.5 Ah
Max. charge current	10A
Max. charge voltage	54.75V
Cont. discharge	10A
Peak discharge	20A
Life expectancy @ 25°C 0.2C Charge/0.2C Discharge	>2000 cycles with min 80% of initial capacity
Energy	504 Wh

### Safety Parameters PCM

Over-charge detection voltage	3650mV/cell ± 0.025 Volts
Over-discharge detection voltage	2500mV/cell ± 0.063 Volts

Operating temperature	0°C to 45°C (charge) -20°C to 60°C (discharge)
Storage temperature	-20°C to 60°C max -20°C to 20°C recommended

### Physical Parameters

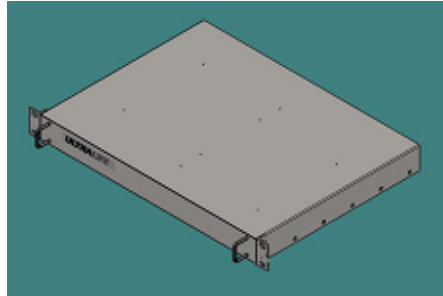
Length	481 mm
Width	330 mm
Height	45 mm
Weight	10Kg approx
Contacts Output	Connector
Enclosure	Sheet Metal Powder Coated

### Features

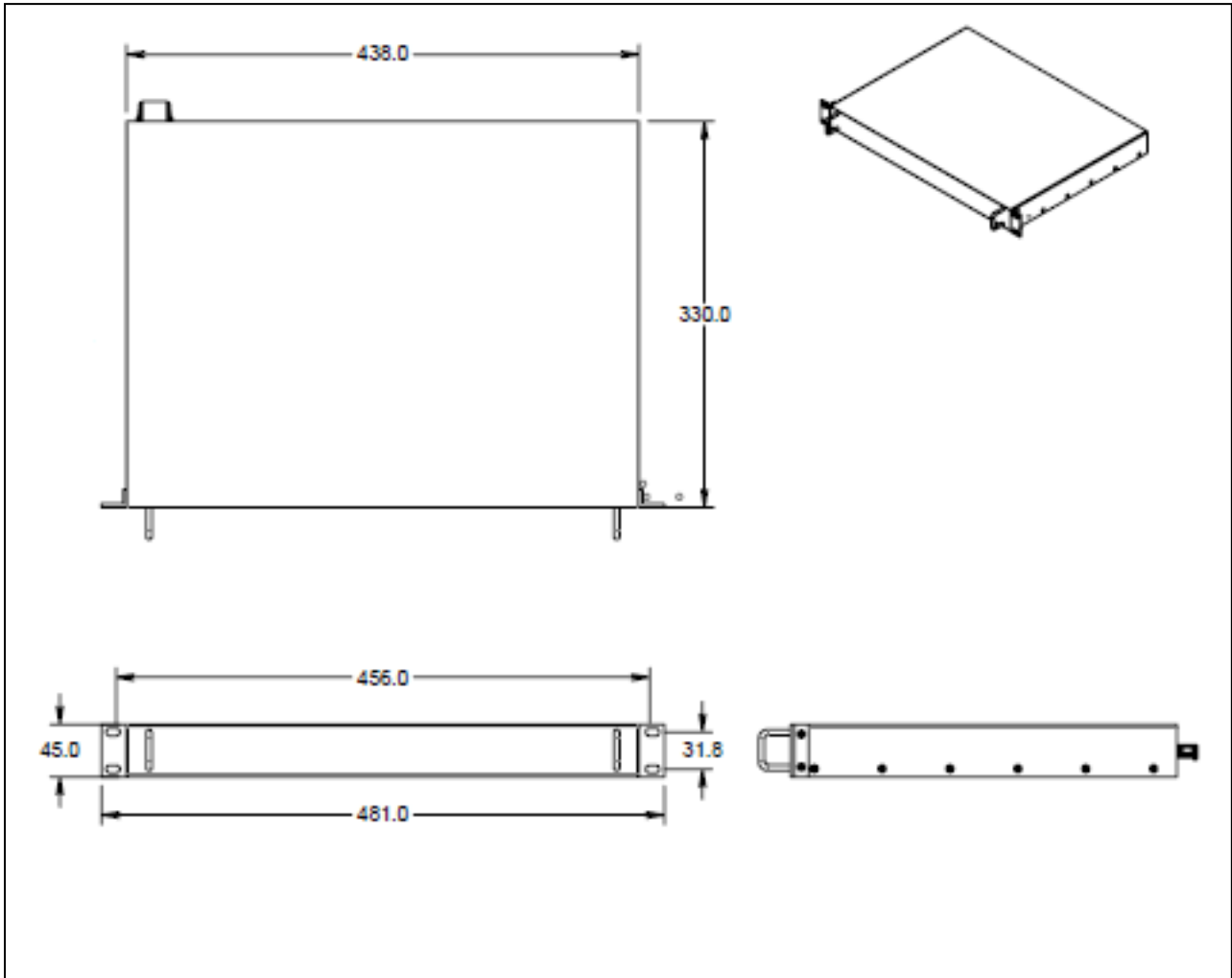
- High energy density.
- Built-in Protection Module
- Comprehensive charging/ discharging and passive safety systems.

### Application

- Suitable for use with Backup Systems and Industrial Robotics



# Dimensional Drawing



UI15H07001

Ultralife Batteries India Private Limited

No. 38B1 Part, Doddanakundi Industrial Area, 1st Phase, Mahadevapura, Bangalore 560 048

Phone : +91 80 28524680 , +91 80 28524690

07 Sep 19 UI15H07001 Rev:0

Page 2 of 2