

UI15H14007 BATTERY

Technical Datasheet - Tentative

Technical Specifications

Part No.	UI15H14007
Battery	Lithium Iron Phosphate (LiFePO4)

Electrical Parameters

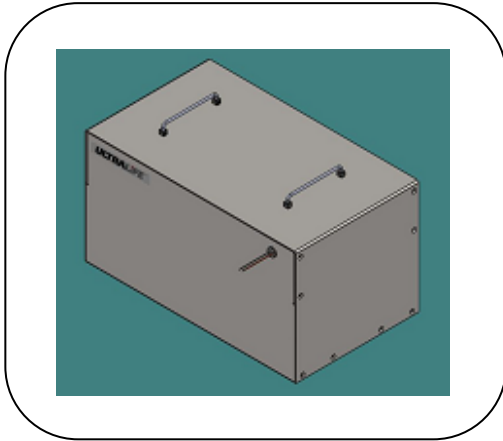
Nominal voltage	48V
Nominal capacity	21Ah
Max. charge current	20A Max
Max. charge voltage	54.75V
Cont. discharge	20A Max
Life expectancy @ 25°C 0.2C Charge/0.2C Discharge	>2000 cycles with min 80% of initial capacity
Energy	1008 Wh

Safety Parameters PCM

Over-charge detection voltage	3650mV/cell ± 0.025 Volts
Over-discharge detection voltage	2500mV/cell ± 0.063 Volts
Operating temperature	0°C to 45°C (charge) -20°C to 60°C (discharge)
Storage temperature	-20°C to 60°C max -20°C to 20°C recommended

Physical Parameters

Length	308mm
Width	180mm
Height	167mm
Weight	15Kg
Contacts Output	Flying leads
Enclosure	Sheet Metal Powder Coated



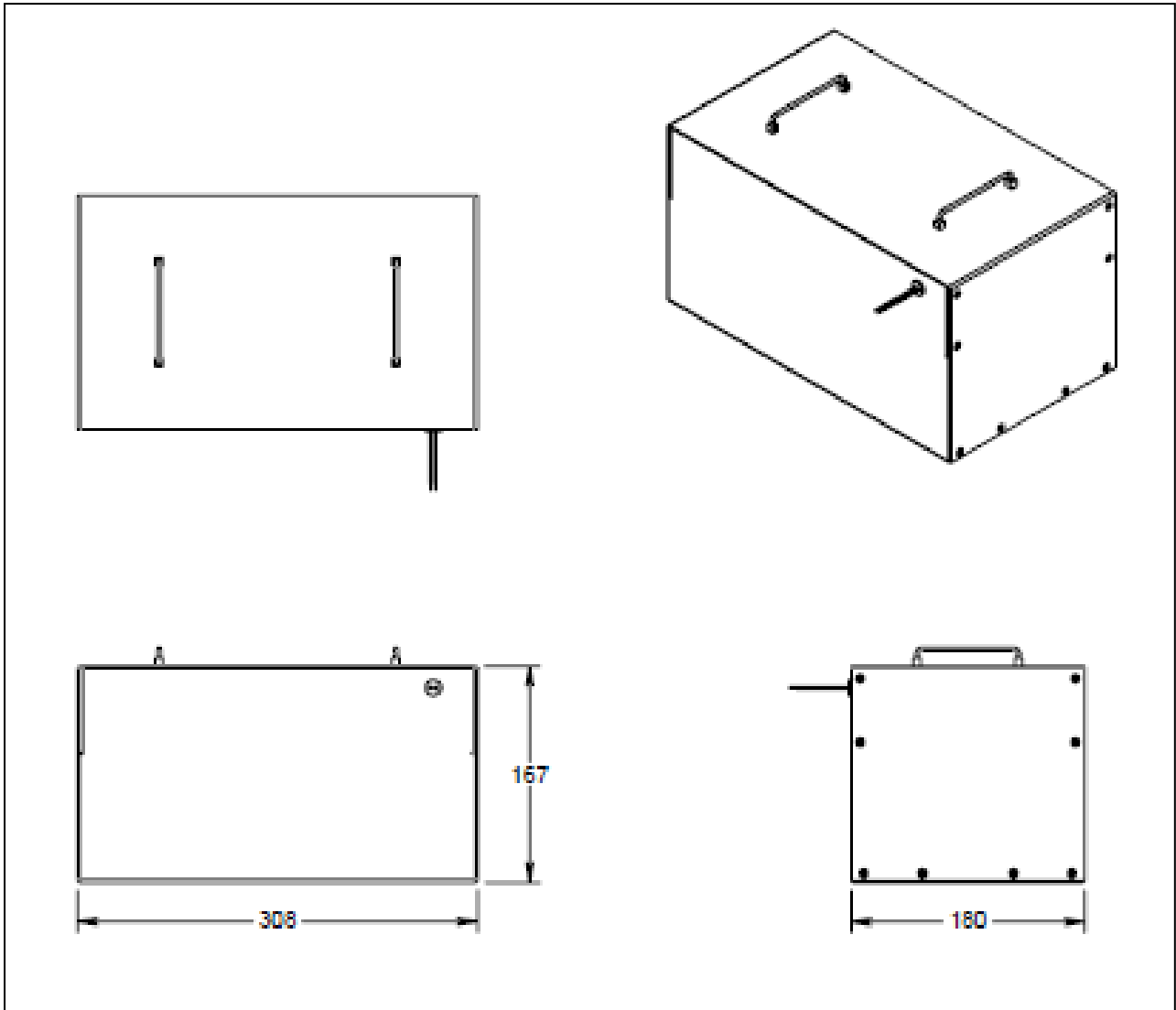
Features

- High energy density.
- Built-in Protection Module
- Comprehensive charging/ discharging and passive safety systems.

Application

- Suitable for use with Tow Trucks and Industrial Robotics

Dimensional Drawing



UI15H14007

Ultralife Batteries India Private Limited

No. 38B1 Part, Doddanakundi Industrial Area, 1st Phase, Mahadevapura, Bangalore 560 048

Phone : +91 80 28524680 , +91 80 28524690

21 October 19 UI15H14007 Rev:0

Page 2 of 2