

UI08H42001 BATTERY

Technical Datasheet - Tentative

Technical Specifications

Part No.	UI08H42001
Chemistry	Lithium Iron Phosphate (LiFePO4)

Electrical Parameters

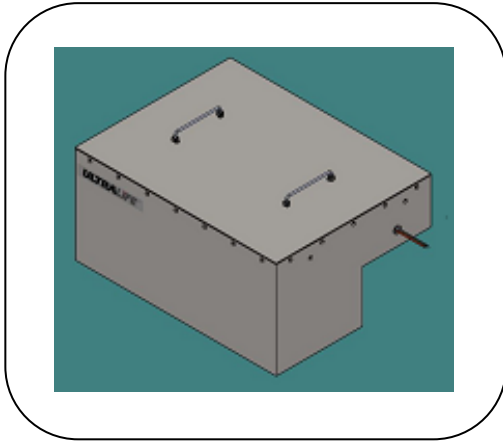
Nominal voltage	25.6V
Nominal capacity	63 Ah
Max. charge current	10A
Max. charge voltage	29.2V
Cont. discharge	30A
Peak discharge	30A
Life expectancy @ 25°C 0.2C Charge/0.2C Discharge	>2000 cycles with min 80% of initial capacity
Energy	1.61 KWh

Safety Parameters PCM

Over-charge detection voltage	3650mV/cell ± 0.025 Volts
Over-discharge detection voltage	2500mV/cell ± 0.063 Volts
Operating temperature	0°C to 45°C (charge) -20°C to 60°C (discharge)
Storage temperature	-20°C to 60°C max -20°C to 20°C recommended

Physical Parameters

Length	350mm
Width	270mm
Height	170mm
Weight	22Kg
Contacts Output	Flying Leads
Enclosure	Sheet Metal Powder Coated



Features

- High energy density.
- Built-in Protection Module
- Comprehensive charging/ discharging and passive safety systems.

Application

- Suitable for use in Tow Trucks and Industrial Robotics

Dimensional Drawing

