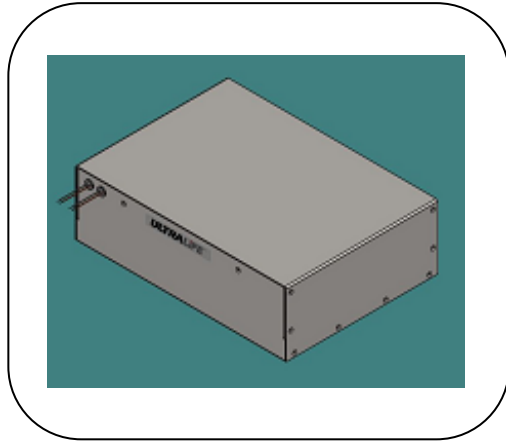


UI08H11001 BATTERY

Technical Datasheet - Tentative

Technical Specifications



Part No.	UI08H11001
Battery	Lithium Iron Phosphate (LiFePO4)

Electrical Parameters

Nominal voltage	25.6V
Nominal capacity	33Ah
Max. charge current	30 A
Max. charge voltage	29.2V
Cont. discharge	30 A
Peak discharge	30 A
Life expectancy @ 25°C 0.2C Charge/0.2C Discharge	>2000 cycles with min 80% of initial capacity
Energy	844.8 Wh

Features

- High energy density.
- Built-in Protection Module
- Comprehensive charging/ discharging and passive safety systems.

Application

- Suitable for use with Communication Systems, Medical application and Robotics

Safety Parameters PCM

Over-charge detection voltage	3650mV/cell ± 0.025 Volts
Over-discharge detection voltage	2500mV/cell ± 0.063 Volts
Operating temperature	0°C to 45°C (charge) -20°C to 60°C (discharge)
Storage temperature	-20°C to 60°C max -20°C to 20°C recommended

Physical Parameters

Length	315mm
Width	225mm
Height	97mm
Weight	10.5 Kgs
Contacts Output	Flying Leads
Enclosure	Sheet Metal Powder Coated

UI08H11001

Ultralife Batteries India Private Limited

No. 38B1 Part, Doddanakundi Industrial Area, 1st Phase, Mahadevapura, Bangalore 560 048

Phone : +91 80 28524680 , +91 80 28524690

14 Feb 17 UI08H11001 Rev:0

Page 1 of 2

Drawing

