

UI08H03001 BATTERY

Technical Datasheet

Technical Specifications

Part No.	UI08H03001
Chemistry	Lithium Iron Phosphate (LiFePO ₄)

Electrical Parameters

Nominal voltage	25.6 V
Nominal capacity	9 Ah
Max. charge current	5 A
Max. charge voltage	29.2 V
Cont. discharge	18 A
Peak discharge	18 A
Life expectancy @ 25°C 0.2C Charge/0.2C Discharge	>2000 cycles with min 80% of initial capacity
Energy	230.4 Wh

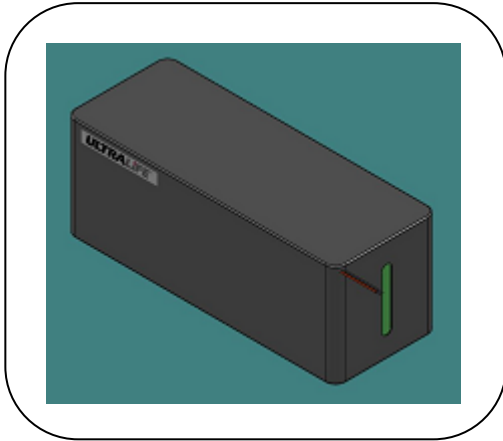
Safety Parameters PCM

Over-charge detection voltage	3650mV/cell ± 0.025 Volts
Over-discharge detection voltage	2500mV/cell ± 0.063 Volts

Operating temperature	0°C to 45°C (charge) -20°C to 60°C (discharge)
Storage temperature	-20°C to 60°C max -20°C to 20°C recommended

Physical Parameters

Length	211mm
Width	83mm
Height	80mm
Weight	2.1 Kg
Contacts Output	Flying Leads
Enclosure	PVC Shrink Wrap



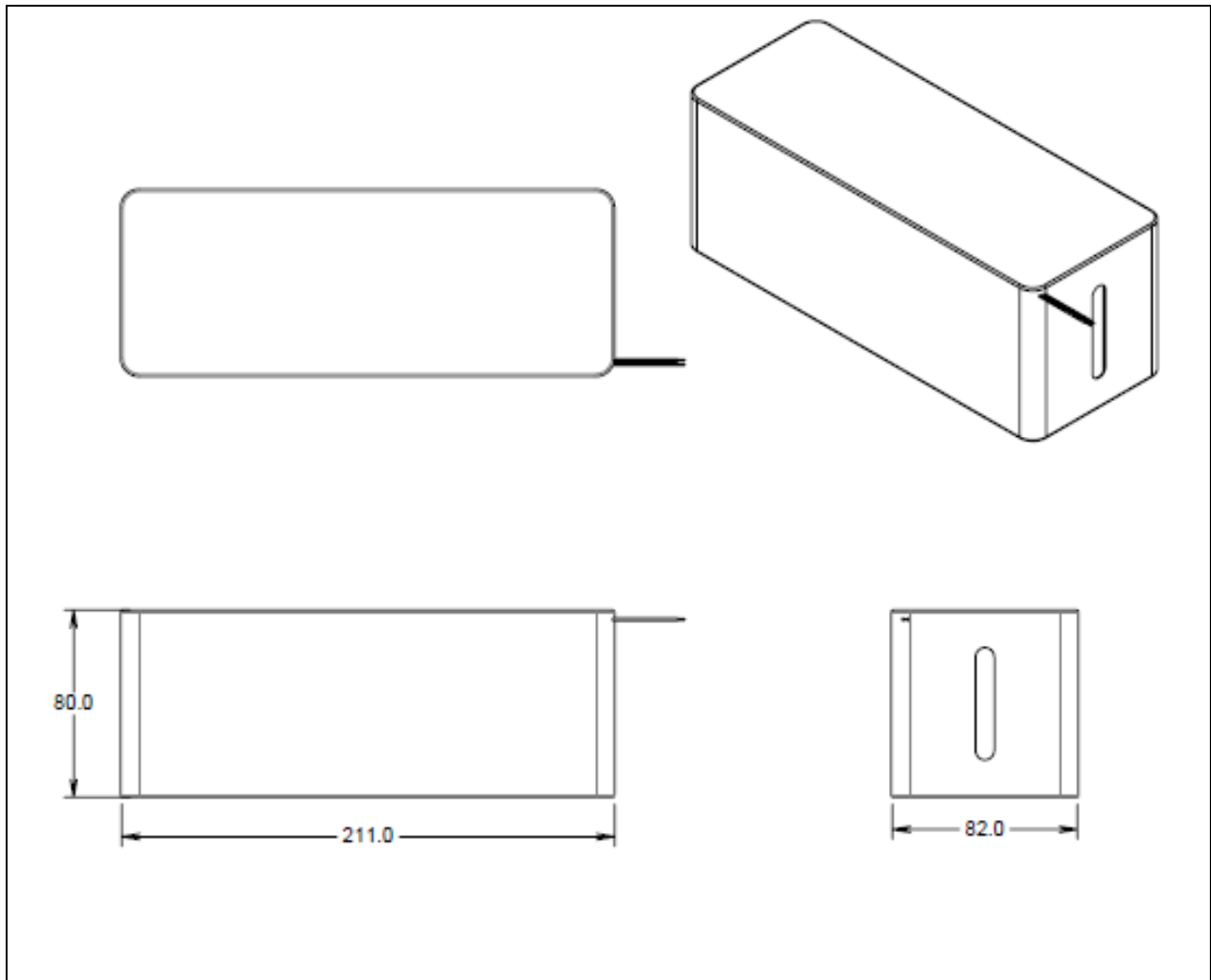
Features

- High energy density.
- Built-in Protection Module
- Comprehensive charging/discharging and passive safety systems.

Application

- Suitable for use in Backup Systems, AGV's and Communication Devices

Dimensional Drawing



UI08H03001

Ultralife Batteries India Private Limited

No. 38B1 Part, Doddanakundi Industrial Area, 1st Phase, Mahadevapura, Bangalore 560 048

Phone : +91 80 28524680 , +91 80 28524690

27 Jul 17 UI08H03001 Rev:0

Page 2 of 2