

UI08H01010 BATTERY

Technical Datasheet

Technical Specifications

Part No.	UI08H01010
Chemistry	Lithium Iron Phosphate (LiFePO4)

Electrical Parameters

Nominal voltage	25.6 V
Nominal capacity	200 Ah
Max. charge current	50 A
Max. charge voltage	29.2 V
Cont. discharge	100 A
Peak discharge	100 A
Life expectancy @ 25°C 0.2C Charge/0.2C Discharge	>2000 cycles with min 80% of initial capacity
Energy	5.12 KWh

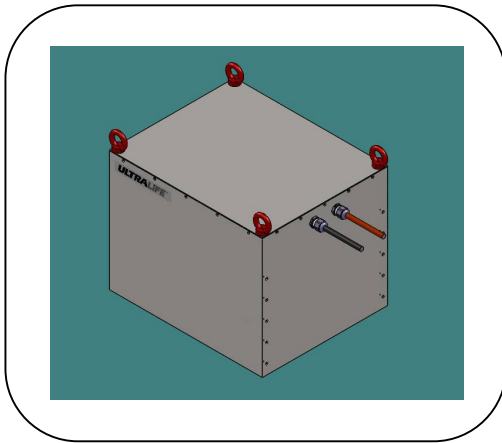
Safety Parameters PCM

Over-charge detection voltage	3650mV/cell ± 0.025 Volts
Over-discharge detection voltage	2500mV/cell ± 0.063 Volts

Operating temperature	0°C to 45°C (charge)
	-20°C to 60°C (discharge)
Storage temperature	-20°C to 60°C max
	-20°C to 20°C recommended

Physical Parameters

Length	415mm
Width	340mm
Height	330mm
Weight	85 Kgs
Contacts Output	Flying Leads
Enclosure	Sheet Metal Power Coated



Features

- High energy density.
- Built-in Protection Module
- Comprehensive charging/ discharging and passive safety systems.

Application

- Suitable for use in Lighting System, EV and Back-Up Systems

Dimensional Drawing

