

UI04H04003 BATTERY

Technical Datasheet - Tentative

Technical Specifications

Part No.	UI04H04003
Chemistry	Lithium Iron Phosphate (LiFePO4)

Electrical Parameters

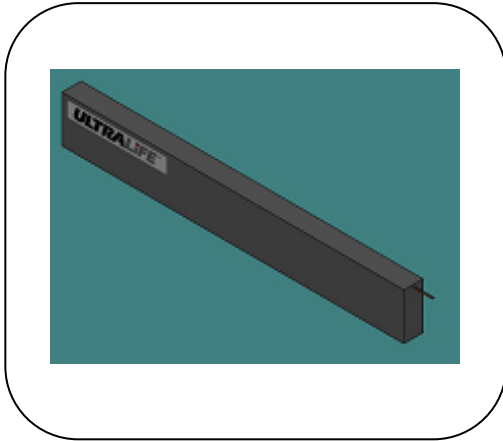
Nominal voltage	12.8 V
Nominal capacity	12.8 Ah
Max. charge current	5 A Max
Max. charge voltage	14.6 V
Cont. discharge	5 A Max
Life expectancy @ 25°C 0.2C Charge/0.2C Discharge	>2000 cycles with min 80% of initial capacity
Energy	163.84 Wh

Safety Parameters PCM

Over-charge detection voltage	3650mV/cell ± 0.025 Volts
Over-discharge detection voltage	2500mV/cell ± 0.063 Volts
Operating temperature	0°C to 45°C (charge) -20°C to 60°C (discharge)
Storage temperature	-20°C to 60°C max -20°C to 20°C recommended

Physical Parameters

Length	500mm
Width	68mm
Height	28mm
Weight	1350 grms
Contacts Output	Flying Leads
Enclosure	PVC Shrink Wrap



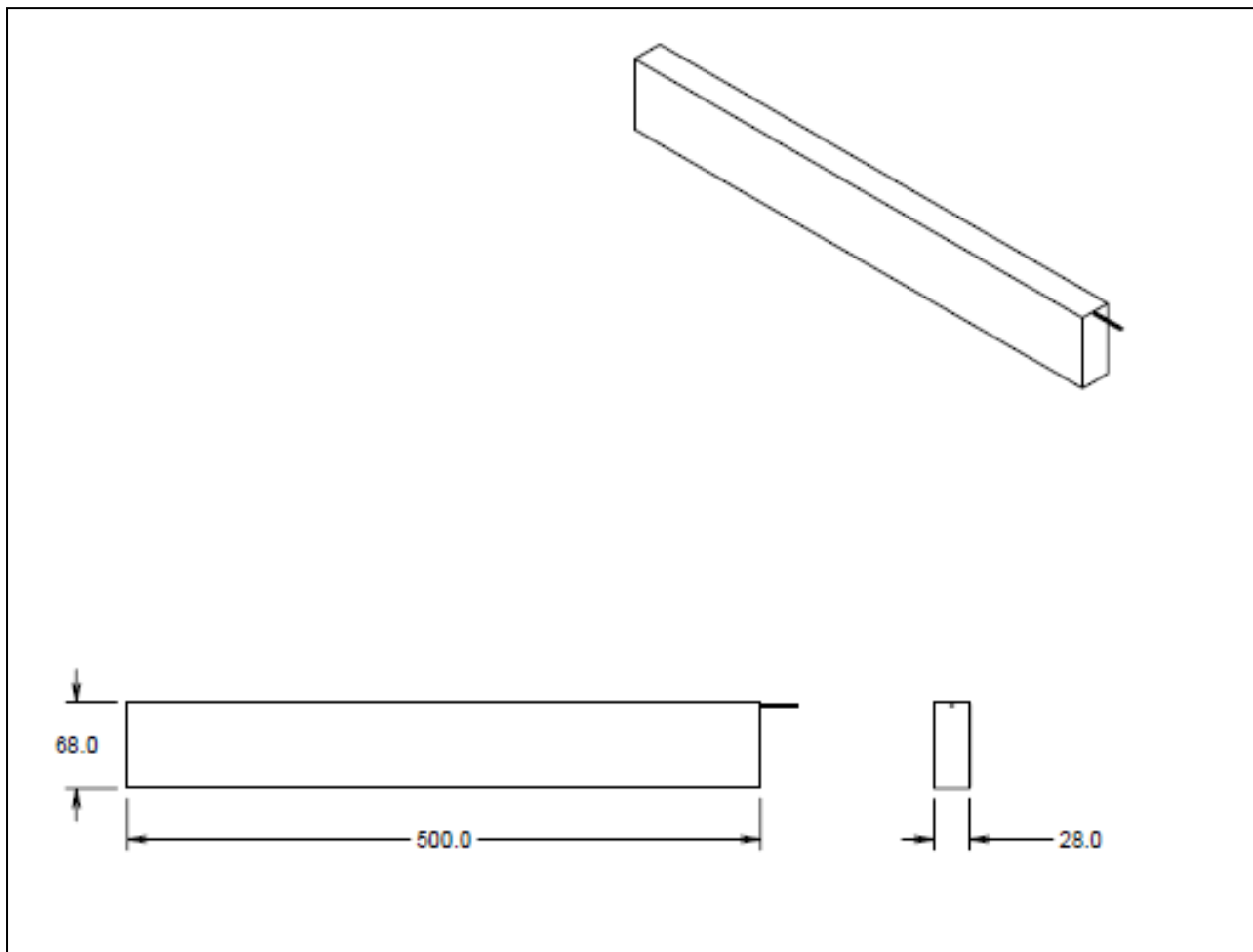
Features

- High energy density.
- Built-in Protection Module
- Comprehensive charging/ discharging and passive safety systems.

Application

- Suitable for use in Lighting System and Back-Up Systems

Dimensional Drawing



UI04H04003

Ultralife Batteries India Private Limited

No. 38B1 Part, Doddanakundi Industrial Area, 1st Phase, Mahadevapura, Bangalore 560 048

Phone : +91 80 28524680 , +91 80 28524690

11 Jan 17 UI04H04003 Rev:0

Page 2 of 2