

UI08H01006 BATTERY

Technical Datasheet - Tentative

Technical Specifications

Part No.	UI08H01006
Chemistry	Lithium Iron Phosphate (LiFePO4)

Electrical Parameters

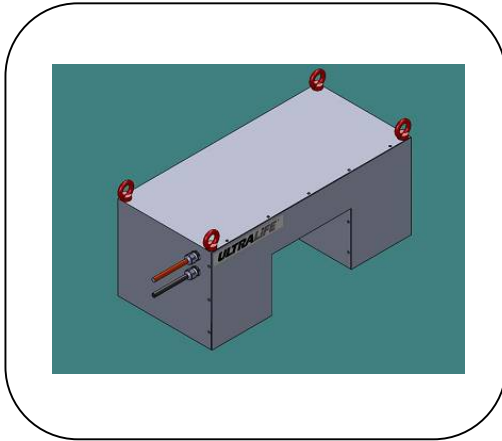
Nominal voltage	25.6 V
Nominal capacity	100 Ah
Max. charge current	20 A
Max. charge voltage	29.2 V
Cont. discharge	100 A
Peak discharge	100 A
Life expectancy @ 25°C 0.2C Charge/0.2C Discharge	>2000 cycles with min 80% of initial capacity
Energy	2.56 KWh

Safety Parameters PCM

Over-charge detection voltage	3650mV/cell ± 0.025 Volts
Over-discharge detection voltage	2500mV/cell ± 0.063 Volts
Operating temperature	0°C to 45°C (charge) -20°C to 60°C (discharge)
Storage temperature	-20°C to 60°C max -20°C to 20°C recommended

Physical Parameters

Length	605mm
Width	285mm
Height	255mm
Weight	45 Kg
Contacts Output	Flying Leads
Enclosure	Sheet Metal Powder Coated



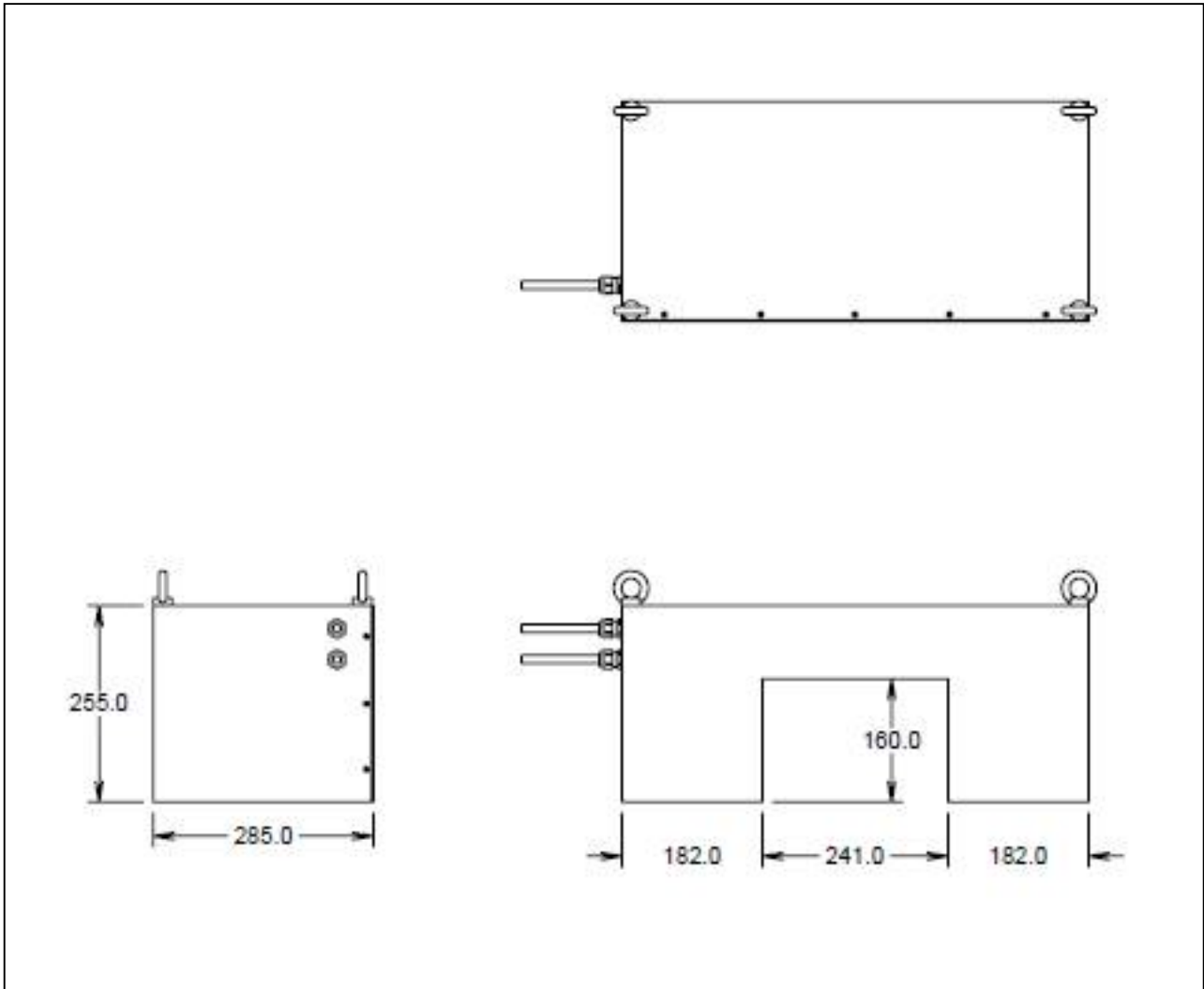
Features

- High energy density.
- Built-in Protection Module
- Comprehensive charging/ discharging and passive safety systems.

Application

- Suitable for use in Backup Systems and Industrial Robotics

Dimensional Drawing



UI08H01006

Ultralife Batteries India Private Limited

No. 38B1 Part, Doddanakundi Industrial Area, 1st Phase, Mahadevapura, Bangalore 560 048

Phone : +91 80 28524680 , +91 80 28524690

04 September 18 UI08H01006 Rev:0