

UHR-XR34610

Technical Datasheet



Technical Specifications	
Part No.	UHR-XR34610-X (see note 1)
Battery Type	Li-CFx / MnO ₂ Hybrid
Voltage Range	1.5 to 3.3V
Average Voltage	3.0V
Nominal Capacity	16.0Ah @ 250mA to 2.0V @ 23°C
Max. Discharge	3.0A continuous
Pulse Capability	Up to 7.0A Varies according to pulse characteristics, temperature, cell history and the application. Consult Ultralife.
Weight	113g (0.25lb)
Operating Temperature	-30°C to 55°C
Storage Temperature	-40°C to 85°C
Exterior/Housing	Hermetic Ni-plated steel can with Mylar sleeve
Protection	Thermal fuse Shutdown separator
Safety	Material Safety Datasheet - MSDS00148 See safety warning below
Transportation	Class 9 - International (see note 2)
Note 1	Order by suffix (-S) available in standard bulk as shown. Contact Ultralife for other terminal options.
Note 2	A complete description of transportation regulations, lithium weights and transportation classifications is available on the Ultralife website.
Safety Warning	To prevent thermal runaway: 1. Do not discharge in excess of rated current or outside of temperature range 2. Do not use multiple cells to form a new large battery without consulting with Ultralife

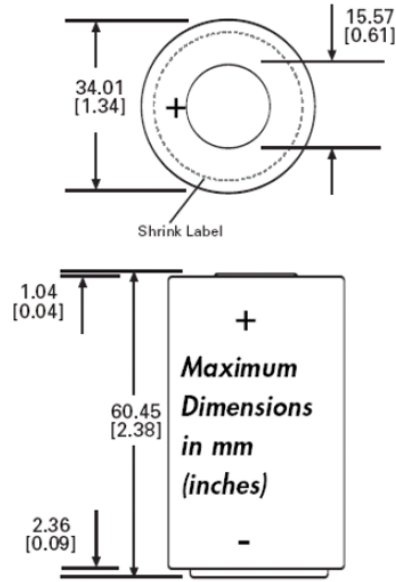
Features

- 100% or more capacity than Li-SO₂ D cells, 40% or more capacity than Li-MnO₂ D cells
- High energy density
- No voltage delay
- Wide operating temperature range
- Lightweight
- 15-year shelf life
- Long operating life
- Flat Ni-plated +/- End Caps
- Enhanced safety with a thermal fuse and shutdown separator.

Applications

- Automotive Electronics / Telematics
- Alarm and Security Devices
- Search & Rescue Devices
- Military Communications, Detectors & Imaging
- Medical Devices
- Automatic Meter Readers (AMR)
- M2M (Machine to Machine) Communications
- GPS / Mobile Asset Tracking

Dimensions



Performance Graphs

