

# ER2450: Bobbin Cell

## Technical Datasheet



Technical Specifications	
Part No.	ER2450
Cell Type	Primary, non-rechargeable
Chemistry	Lithium Thionyl Chloride
Voltage Range	2.0V to 3.7V
Nominal Voltage	3.6V
Nominal Capacity	0.55Ah @ 0.5mA to 2.0V @ 23°C
Max. Continuous Discharge Current	4mA
Max. Pulse Discharge Current	Up to 10mA (life and temperature dependent)
Weight	9.0g
Operating Temperature	-55°C to 85°C
Storage Temperature	-55°C to 85°C (max 30°C for a >5 years life)
Exterior/Housing	Stainless steel container
Transportation	A complete description of transportation regulations, lithium weights and transportation classifications is available on the Ultralife website.

### Features

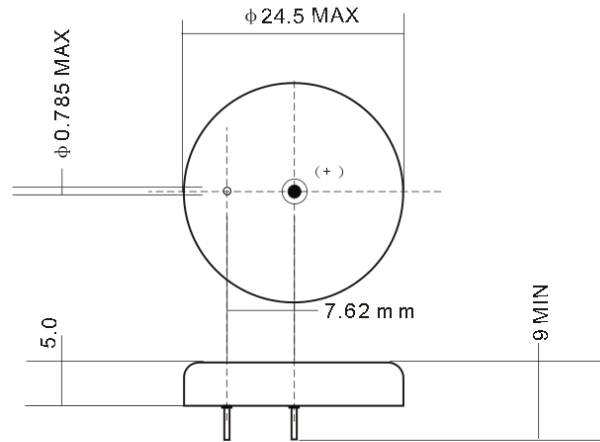
- High and stable operating voltage
  - Higher power and higher energy for the whole battery life
- Superior drain capability
  - Higher power applications
- Low self-discharge rate (less than 1% after 1 year of storage at +20°C)
  - Battery life higher than 10 years, depending on the application
- Hermetic glass-to-metal sealing
  - Avoid leakage, key for a higher than 10 year battery life
- Non-flammable electrolyte
  - Safer operation in case of abuse

Quality Assurance	Ultralife manufacturing facilities are ISO 9001:2008 and ISO 14001:2004 registered. Its products are listed under the Component Recognition Program of Underwriters Laboratories (UL) and have passed UN transportation testing, which is required for international transportation of all lithium batteries.
-------------------	---

### Typical Applications

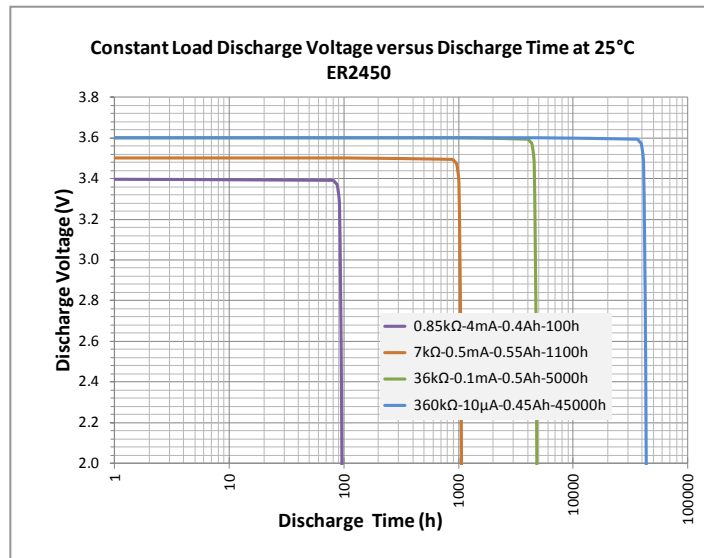
- Military and other radio applications
- Alarm and security systems
- Beacons and emergency location transmitters
- GPS
- Metering systems
- Sonobuoys
- LED lighting applications
- Recommended for TPMS

## Dimensions



Unit : mm

## Typical Performance Graphs



High and flat voltage at high and low drain