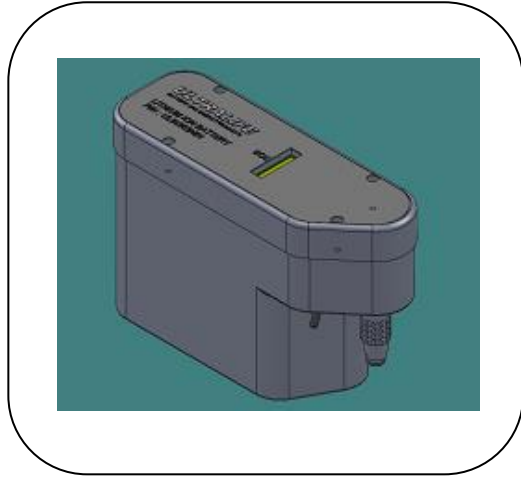


ULIN303H01 BATTERY

Technical Datasheet

Technical Specifications



Part No.	ULIN303H01
Battery	Li-Ion Rechargeable
Electrical Parameters	
Nominal voltage	11.1V
Nominal capacity	8700mAh
Max. charge current	2500mA
Max. charge voltage	4.2V
Cont. discharge	3500mA
Peak discharge	3500mA
Life expectancy @ 25°C 0.2C Charge/0.2C Discharge	>300 cycles with min 80% of initial capacity
Energy	96.57Wh

Features

- High energy density.
- Built-in Protection Module
- Comprehensive charging/ discharging and passive safety systems.

Application

- Suitable for use with Radar Based Mine Detector Application

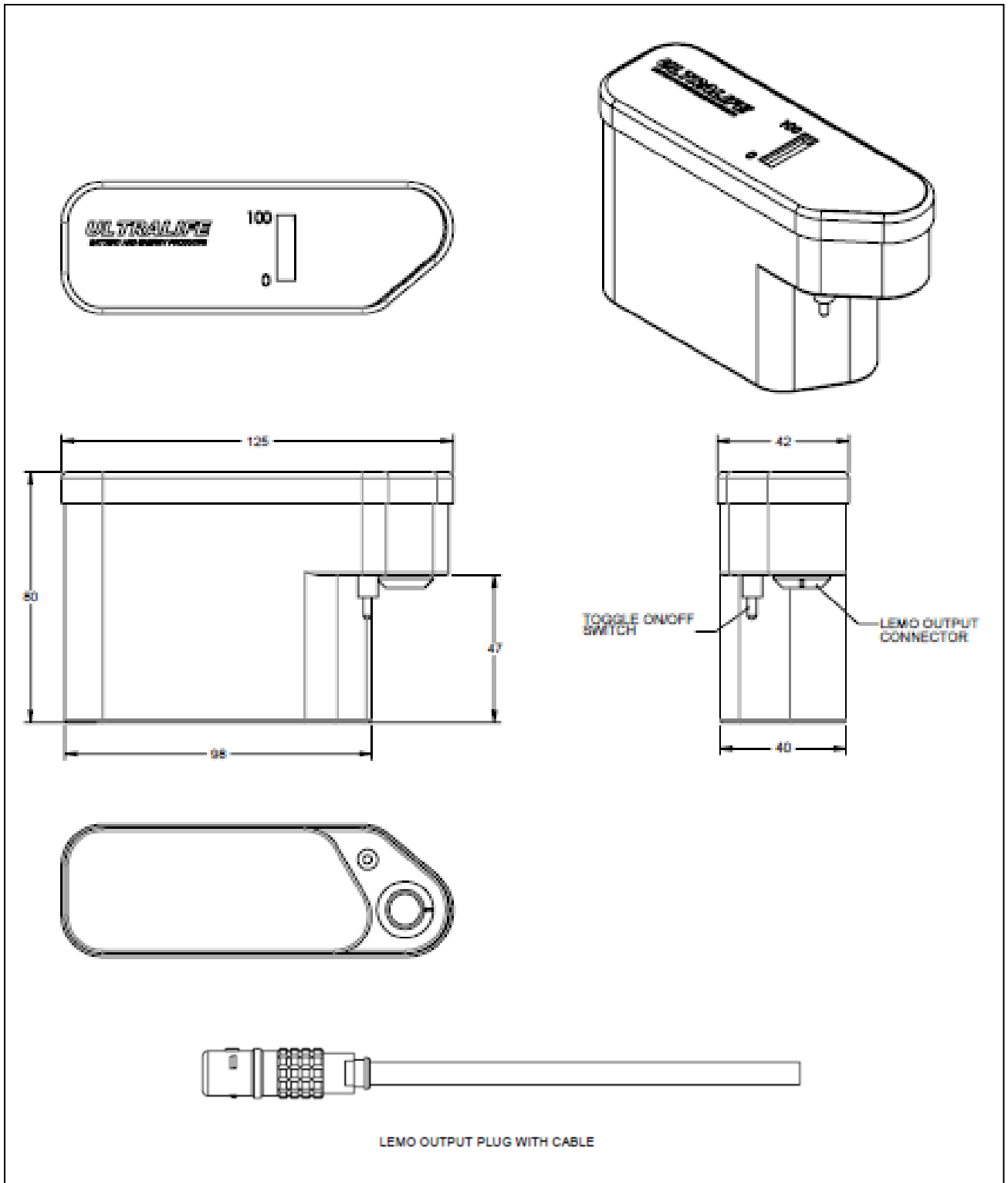
Safety Parameters PCM

Over-charge detection voltage	4350mV/cell ± 0.025 Volts
Over-discharge detection voltage	2350mV/cell ± 0.10 Volts
Operating temperature	0°C to 45°C (charge) -20°C to 60°C (discharge)
Storage temperature	-20°C to 60°C max -20°C to 20°C recommended

Physical Parameters

Length	125mm
Width	42mm
Height	80mm
Weight	600g
Contacts	Lemo K Series Connector
Enclosure	ABS Plastic

Dimensional Drawing



ULIN303H01

Ultralife Batteries India Private Limited

No. 38B1 Part, Doddanakundi Industrial Area, 1st Phase, Mahadevapura, Bangalore 560 048

Phone : +91 80 28524680 , +91 80 28524690

19 Apr 2013 ULIN303H01 Rev:0