

# ULIN201H02R1 BATTERY

## Technical Datasheet

### Technical Specifications



### Features

- High energy density.
- Built-in Protection Module
- Comprehensive charging/ discharging and passive safety systems.

### Application

- Suitable for use with Communication Systems and Night Vision Camera application

Part No.	ULIN201H02R1
Battery	Li-Ion Rechargeable
<b>Electrical Parameters</b>	
Nominal voltage	7.4V
Nominal capacity	2900mAh
Max. charge current	1630mA
Max. charge voltage	4.2V
Cont. discharge	2400mA
Peak discharge	2400mA
Life expectancy @ 25°C 0.2C Charge/0.2C Discharge	>300 cycles with min 80% of initial capacity
Energy	21.46Wh

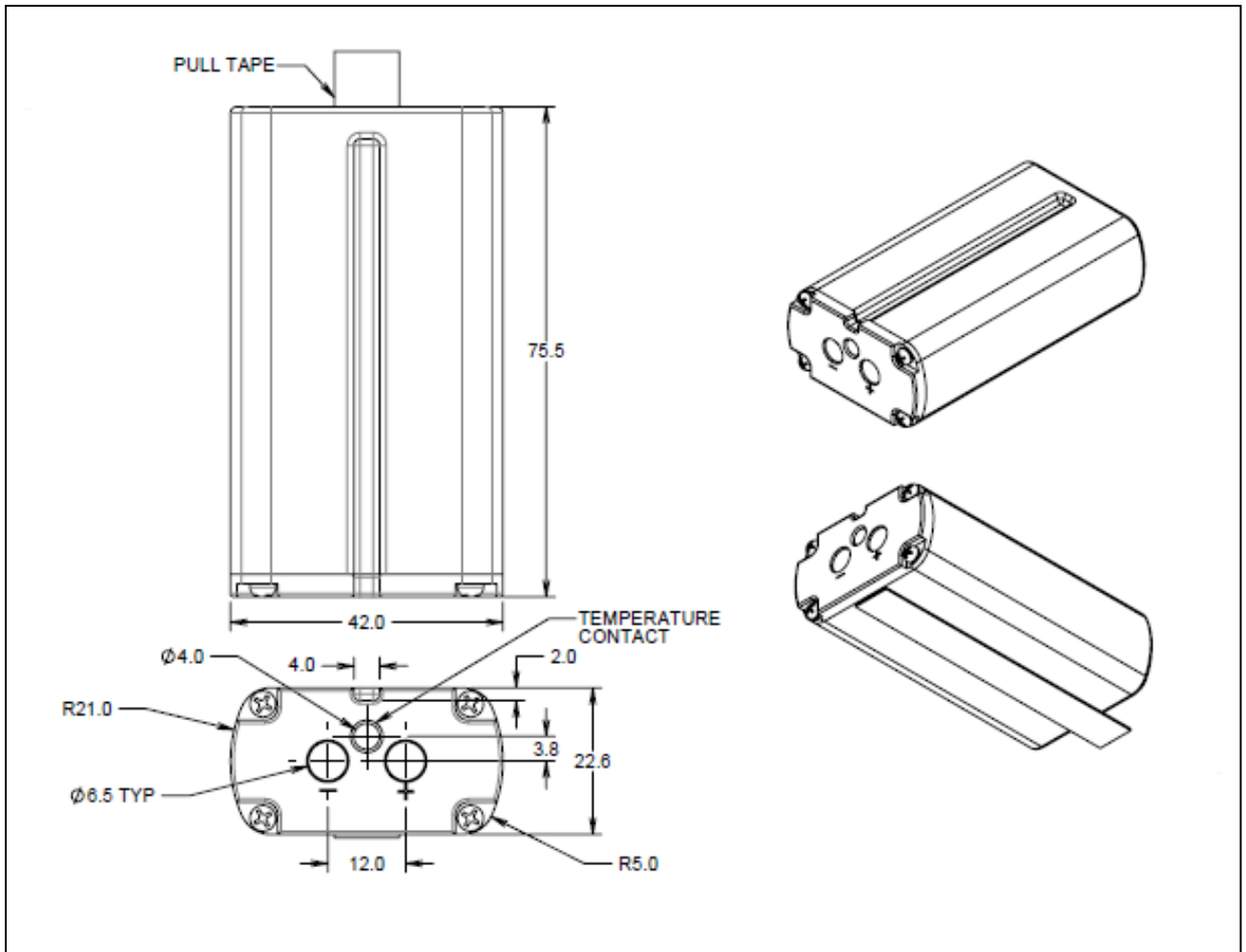
### Safety Parameters PCM

Over-charge detection voltage	4350mV/cell ± 0.025 Volts
Over-discharge detection voltage	2350mV/cell ± 0.10 Volts
Operating temperature	0°C to 45°C (charge) -20°C to 60°C (discharge)
Storage temperature	-20°C to 60°C max -20°C to 20°C recommended

### Physical Parameters

Length	75.5mm
Width	42mm
Height	22mm
Weight	115g
Contacts	Pogo Pin Contact
Enclosure	ABS Plastic

# Dimensional Drawing



ULIN201H02R1

Ultralife Batteries India Private Limited

No. 38B1 Part, Doddanakundi Industrial Area, 1st Phase, Mahadevapura, Bangalore 560 048

Phone : +91 80 28524680 , +91 80 28524690

26 Nov 2014 ULIN201H02R1 Rev:0