

ULIN201004 BATTERY

Technical Datasheet

Technical Specifications



| | |
|--|---|
| Part No. | ULIN201004 |
| Battery | Li-Ion Rechargeable |
| Electrical Parameters | |
| Nominal voltage | 7.4V |
| Nominal capacity | 2900mAh |
| Max. charge current | 1630mA |
| Max. charge voltage | 4.2V |
| Cont. discharge | 2500mA |
| Peak discharge | 2500mA |
| Life expectancy @ 25°C 0.2C Charge/0.2C Discharge | >300 cycles with min 80% of initial capacity |
| Energy | 21.46Wh |

Features

- High energy density.
- Built-in Protection Module
- Comprehensive charging/ discharging and passive safety systems.

Application

- Suitable for use with Communication Systems and for Medical application

Safety Parameters PCM

| | |
|----------------------------------|---|
| Over-charge detection voltage | 4350mV/cell ± 0.025 Volts |
| Over-discharge detection voltage | 2350mV/cell ± 0.10 Volts |
| Operating temperature | 0°C to 45°C (charge) -20°C to 60°C (discharge) |
| Storage temperature | -20°C to 60°C max -20°C to 20°C recommended |

Physical Parameters

| | |
|-----------|-----------------|
| Length | 68mm |
| Width | 38mm |
| Height | 22mm |
| Weight | 110g |
| Contacts | Flying leads |
| Enclosure | PVC Shrink Wrap |

ULIN201004

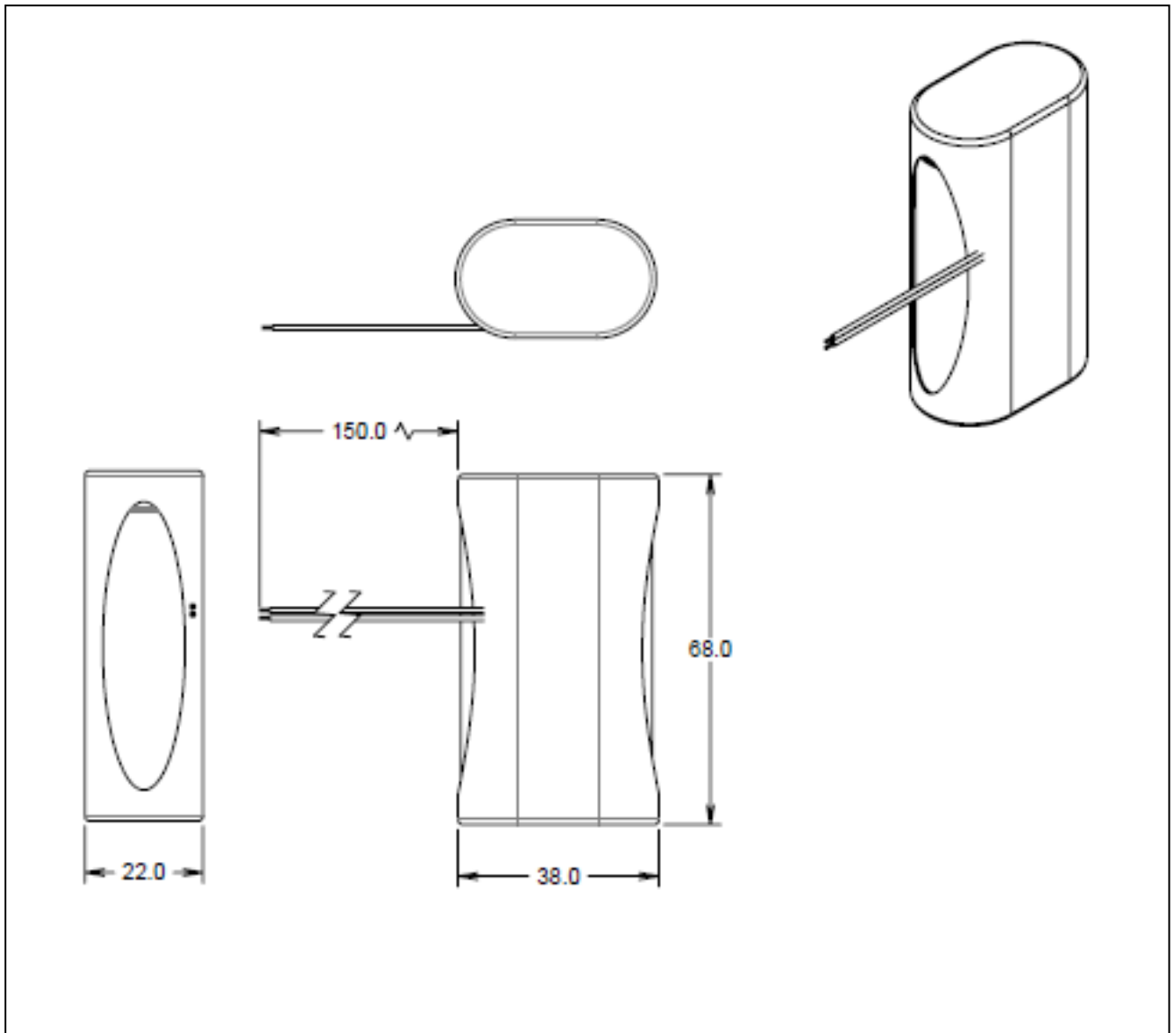
Ultralife Batteries India Private Limited

No. 38B1 Part, Doddanakundi Industrial Area, 1st Phase, Mahadevapura, Bangalore 560 048

Phone : +91 80 28524680 , +91 80 28524690

27 Jul 2009 ULIN201004 Rev:0

Dimensional Drawing



ULIN201004

Ultralife Batteries India Private Limited

No. 38B1 Part, Doddanakundi Industrial Area, 1st Phase, Mahadevapura, Bangalore 560 048

Phone : +91 80 28524680 , +91 80 28524690

27 Jul 2009 ULIN201004 Rev:0