

UI15H07001 BATTERY

Technical Datasheet - Tentative

Technical Specifications

Part No.	UI15H07001
Chemistry	Lithium Iron Phosphate (LiFePO4)

Electrical Parameters

Nominal voltage	48V
Nominal capacity	10.5 Ah
Max. charge current	10A
Max. charge voltage	54.75V
Cont. discharge	10A
Peak discharge	20A
Life expectancy @ 25°C 0.2C Charge/0.2C Discharge	>2000 cycles with min 80% of initial capacity
Energy	504 Wh

Safety Parameters PCM

Over-charge detection voltage	3650mV/cell ± 0.025 Volts
Over-discharge detection voltage	2500mV/cell ± 0.063 Volts
Operating temperature	0°C to 45°C (charge) -20°C to 60°C (discharge)
Storage temperature	-20°C to 60°C max -20°C to 20°C recommended

Physical Parameters

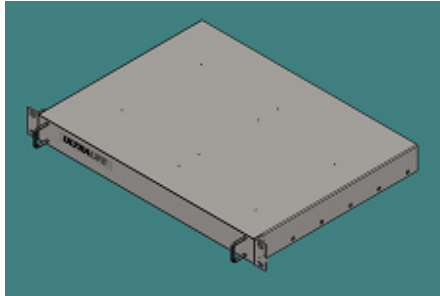
Length	481 mm
Width	330 mm
Height	45 mm
Weight	10Kg approx
Contacts Output	Connector
Enclosure	Sheet Metal Powder Coated

Features

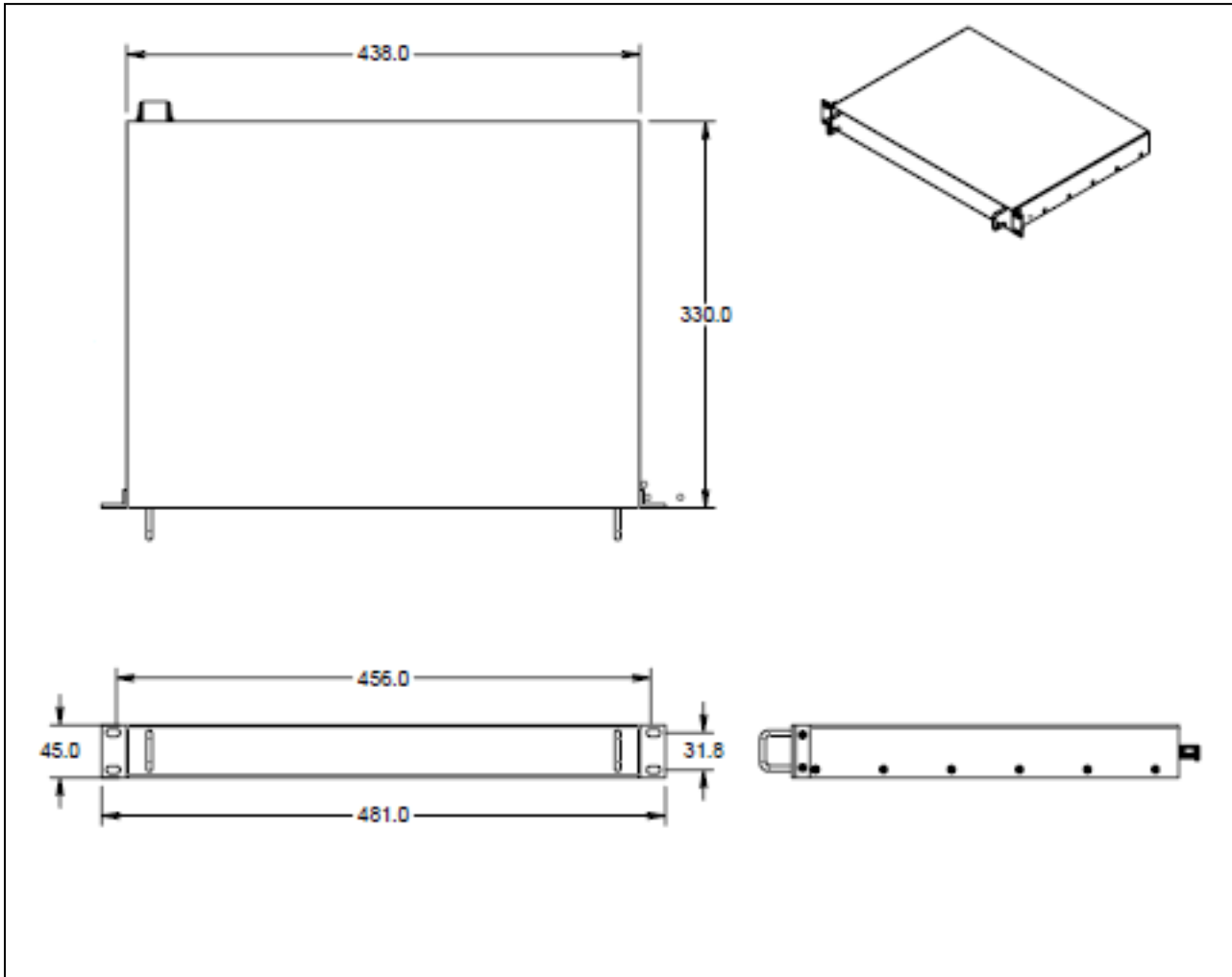
- High energy density.
- Built-in Protection Module
- Comprehensive charging/ discharging and passive safety systems.

Application

- Suitable for use with Backup Systems and Industrial Robotics



Dimensional Drawing



UI15H07001

Ultralife Batteries India Private Limited

No. 38B1 Part, Doddanakundi Industrial Area, 1st Phase, Mahadevapura, Bangalore 560 048

Phone : +91 80 28524680 , +91 80 28524690

07 Sep 19 UI15H07001 Rev:0

Page 2 of 2